



TWK 2

P.O. BOX 24 CALEDON 7230
TEL: 028 – 214 3300

Dear Sir / Madam

REQUEST FOR FORMAL WRITTEN PRICE QUOTATIONS
QUOTATION NUMBER: RB 03/2022/23

Kindly furnish us with a written quotation for:

SUPPLY AND DELIVERY OF STORMWATER CULVERTS TO GRABOUW

The detailed project description and schedules are attached or can be obtained from **Mr. R. Biggs** at Tel: **028 214 3300** or e-mail: RodwinBi@twk.org.za as well as all technical queries.

A formal quotation must be submitted on the letterhead of your business and must have attached all relevant signed schedules and additional information as requested. Failure to do so will result in the quotation to be rejected. The quotation must be in a sealed envelope and clearly marked: **Tender Box No. 2**, for attention: **RODWIN BIGGS, QUOTATION NO.: RB 03/2022/23** and the service provider's name and address. Quotations will not be accepted if they don't comply with the marking instructions. Quotations must be placed in tender box **No. 2** at the **Main Entrance** of Theewaterskloof Municipality, 6 Plein Street, Caledon by no later than **12:00 on Friday, 04 November 2022** immediately after which the quotations will be opened in public in the Council Chambers. If posted, interested service providers to ensure that sufficient time are given for the post to reach us before the closing date and time. Council cannot take responsibility for any delays.

1. Standard Conditions of Quotation:

The following conditions will apply:

- a) Quotations must be completed in hand written non-erasable black ink.
- b) Price(s) quoted must be valid for at least sixty (60) days from the date of your offer.
- c) Price(s) quoted must be firm and must be inclusive of VAT, clearly indicating Price, VAT and Total Price.
- d) **The goods must be delivered within 3 weeks from date of official order.**
- e) This quotation will be evaluated in terms of the 80/20 preference point system as prescribed in the Preferential Procurement Regulations of 2017 and for this purpose **MBD 2, MBD 4, MBD 6.1, MBD 6.2, MBD 8 and MBD 9** forms which are available on the Municipal Website www.twk.gov.za must be completed and submitted together with your quotation.
- f) The successful provider will be the one scoring the highest points.
- g) A **Valid Tax Compliance Status Pin Certificate** and a copy of your **latest Municipal Account or Lease Agreement** should be attached to your quotation.
- h) **Council may accept a quotation in full, partially or not at all.**
- i) Payments will be made not later than 30 days, after the receipt of a tax invoice.
- j) Invoices must not be issued before goods / services have been supplied / rendered.
- k) The General Conditions of Contract will apply to this quotation.
- l) Calculation errors will be corrected by the Municipality by using the unit prices.
- m) If a valid B-BBEE certificate or Sworn Affidavits is not attached it will be interpreted that the preference points for B- BBEE status level or contribution are not claimed.
- n) If a valid B-BBEE certificate or Sworn Affidavits is attached and if points is not claimed in terms of MBD 6.1 it will be interpreted that the preference points for B- BBEE status level or contribution are not claimed.
- o) Please note that the Municipality will not request a valid B- BBEE certificate or Sworn Affidavits if such is not attached to the bidders tender at closing date of this tender.
- p) The municipality reserves the right to appoint the bidder scoring first, second and third highest preference points at any time during the duration of the contract. When the tenderer scoring the highest points cannot perform on the contract, the municipality has the right to purchase from the tenderer scoring the second highest points and if the second highest points scorer cannot perform on the contract, the municipality reserves the right to purchase from the tenderer scoring the third highest points.
- q) No Alternative offers will be accepted.

2. Bidders Obligations:

2.1 Eligibility Criteria

Only bidders who satisfy the following criteria are eligible to submit an offer: **(This is a requirement on submission of Bid)**

2.1.1 Pricing Instructions

- In order to be considered for a contract in terms of this quotation, bidders are required to price on all items in the schedule of services required and sign.

2.1.2 Specification

- In order to be considered for a contract in terms of this quotation, the bidder must sign and declare compliance by **Schedule 1**.

2.1.3 Local Content

- Only those tenderers who have fully complied with the minimum threshold per item in the Local Content Declaration are eligible to submit quotations. Refer to **Schedule 2**.

3. The Employer's Undertakings

3.1 Tests for Administrative Compliance

Bidders may be found non-compliant if, inter alia: (these documents may be requested)

- The bidder has failed to complete and sign and attach requested information to all schedules not excluded in eligibility criteria;
- The bidder has failed to submit the MBD 2, MBD 4, MBD 6.2, MBD 8 and MBD 9 forms;
- The bidder has failed to submit a municipal account of where the head office of the company is registered or in case where the premise is leased, the bidder has failed to provide a copy of the lease of the premise;
- The bidder has failed to submit a valid Tax Compliance Status Pin Certificate, a valid Tax Compliance Status Pin Certificate may be requested; and
- The bidder has failed to submit a valid certified B-BBEE certificate or sworn affidavits, whereas points were claimed and a copy of certificate or affidavit was supplied, a certified copy of the B-BBEE certificate or sworn affidavit may be requested.
- The tenderer has failed to fully complete the MBD 6.2 schedule, it can be requested from the tenderer to fully complete and submit the schedule to the employer.

NB: No quotations will be considered from persons in the service of the state

Failure to comply with these conditions may invalidate your offer.

Yours faithfully

**SIGNATURE
SUPPLY CHAIN MANAGEMENT**

DATE: 21 October 2022

SCHEDULE OF SERVICES

NO.	DESCRIPTION	QUANTITY	UNIT PRICE		PRICE	
			R	c	R	c
1	Precast concrete culvert	10				
2	Stormwater (Spigot and Socket Joint) 450mm	30				
*NB: The total price must be inclusive of delivery costs and any other associated cost.			Sub Total			
			VAT @ 15%			
			TOTAL			

DELIVERY ADDRESS: Theewaterskloof Municipality
 Grabouw Municipal Stores
 Industrial Street
 Grabouw
 7160

I/We, the undersigned, do hereby declare that these are the properly priced Bill / Schedules of Quantities forming part of this Contract Document containing Pages in consecutive order upon which my/our Quotation No. **Quotation Number: RB 03/2022/23 - SUPPLY AND DELIVERY OF STORMWATER CULVERTS TO GRABOUW** has been based.

My/our total Contract Price for this work and above items (Total) is (in words)

.....

SIGNED ON BEHALF OF BIDDER:

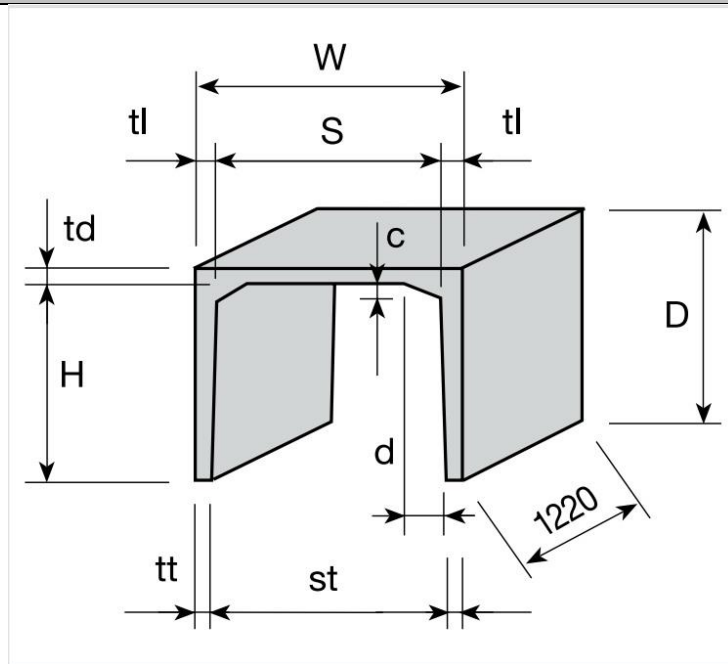
NAME OF BIDDER

DATE

**SCHEDULE 1:
SPECIFICATIONS**

Item 1: Precast Concrete Culvert
All specifications should follow as prescribed in SANS 986 code
Class: 75S
S: 1800mm
H: 900mm
W: 2100mm
D: 1050mm
td: 150mm
Waterway area: 1.63m ²
Approximate mass per unit: 1851 kg/unit

DRAWING SPECIFICATION – PRECAST CONCRETE CULVERT



Item 2: Stormwater (Spigot and Socket Joint) 450mm
All specifications should follow as prescribed in SANS 677 code
Nominal diameter (mm): 450mm
Class of pipe: 100D
Material: Precast concrete
Nominal length (m) : 1.83/ 2.44
Approximate Mass per pipe (kg/pipe): 369/476
The joint should uses the rolling rubber ring principal and no lubricant is to be required

If the bidder fails to sign this schedule, it will be interpreted that the bidder does not comply with the Specifications and therefore will be regarded as being not eligible.

I hereby declare that I comply with the Specifications.

Name of Bidder

Signature on Behalf of Tenderer

Date

**SCHEDULE 2:
MBD 6.2 - DECLARATION CERTIFICATE FOR LOCAL PRODUCTION AND CONTENT
FOR DESIGNATED SECTORS**

DECLARATION CERTIFICATE FOR LOCAL PRODUCTION AND CONTENT FOR DESIGNATED SECTORS

This Municipal Bidding Document (MBD) must form part of all bids invited. It contains general information and serves as a declaration form for local content (local production and local content are used interchangeably).

Before completing this declaration, bidders must study the General Conditions, Definitions, Directives applicable in respect of Local Content as prescribed in the Preferential Procurement Regulations, 2017, the South African Bureau of Standards (SABS) approved technical specification number SATS 1286:2011 (Edition 1) and the Guidance on the Calculation of Local Content together with the Local Content Declaration Templates [Annex C (Local Content Declaration: Summary Schedule), D (Imported Content Declaration: Supporting Schedule to Annex C) and E (Local Content Declaration: Supporting Schedule to Annex C)].

1. General Conditions

- 1.1. Preferential Procurement Regulations, 2017 (Regulation 8) make provision for the promotion of local production and content.
- 1.2. Regulation 8.(2) prescribes that in the case of designated sectors, organs of state must advertise such tenders with the specific bidding condition that only locally produced or manufactured goods, with a stipulated minimum threshold for local production and content will be considered.
- 1.3. Where necessary, for tenders referred to in paragraph 1.2 above, a two stage bidding process may be followed, where the first stage involves a minimum threshold for local production and content and the second stage price and B-BBEE.
- 1.4. A person awarded a contract in relation to a designated sector, may not sub-contract in such a manner that the local production and content of the overall value of the contract is reduced to below the stipulated minimum threshold.
- 1.5. The local content (LC) expressed as a percentage of the bid price must be calculated in accordance with the SABS approved technical specification number SATS 1286: 2011 as follows:

$$LC = [1 - x / y] * 100$$

Where

x is the imported content in Rand

y is the bid price in Rand excluding value added tax (VAT)

Prices referred to in the determination of x must be converted to Rand (ZAR) by using the exchange rate published by South African Reserve Bank (SARB) at 12:00 on the date of advertisement of the bid as indicated in paragraph 4.1 below.

The SABS approved technical specification number SATS 1286:2011 is accessible on [http://www.thedti.gov.za/industrial development/ip.jsp](http://www.thedti.gov.za/industrial%20development/ip.jsp) at no cost.

- 1.6. A bid may be disqualified if this Declaration Certificate and the Annex C (Local Content Declaration: Summary Schedule) are not submitted as part of the bid documentation;

2. The stipulated minimum threshold(s) for local production and content (refer to Annex A of SATS 1286:2011) for this bid is/are as follows:

<u>Description of services, works or goods</u>	<u>Stipulated minimum threshold</u>
Cement and Cement Products	100%

3. Does any portion of the goods or services offered have any imported content?

(Tick applicable box)

YES		NO	
-----	--	----	--

3.1 If yes, the rate(s) of exchange to be used in this bid to calculate the local content as prescribed in paragraph 1.5 of the general conditions must be the rate(s) published by SARB for the specific currency at 12:00 on the date of advertisement of the bid.

The relevant rates of exchange information is accessible on www.reservebank.co.za

Indicate the rate(s) of exchange against the appropriate currency in the table below (refer to Annex A of SATS 1286:2011):

Currency	Rates of exchange
US Dollar	
Pound Sterling	
Euro	
Yen	
Other	

NB: Bidders must submit proof of the SARB rate (s) of exchange used. The rates of exchange tendered by the bidder will be verified for accuracy.

4. Where, after the award of a bid, challenges are experienced in meeting the stipulated minimum threshold for local content the dti must be informed accordingly in order for the dti to verify and in consultation with the AO/AA provide directives in this regard.

LOCAL CONTENT DECLARATION
(REFER TO ANNEX B OF SATS 1286:2011)

LOCAL CONTENT DECLARATION BY CHIEF FINANCIAL OFFICER OR OTHER LEGALLY RESPONSIBLE PERSON NOMINATED IN WRITING BY THE CHIEF EXECUTIVE OR SENIOR MEMBER/PERSON WITH MANAGEMENT RESPONSIBILITY (CLOSE CORPORATION, PARTNERSHIP OR INDIVIDUAL)

IN RESPECT OF BID NO.

ISSUED BY: (Procurement Authority / Name of Institution):

.....
NB

- 1 The obligation to complete, duly sign and submit this declaration cannot be transferred to an external authorized representative, auditor or any other third party acting on behalf of the bidder.
- 2 Guidance on the Calculation of Local Content together with Local Content Declaration Templates (Annex C, D and E) is accessible on http://www.thdti.gov.za/industrial_development/ip.jsp. Bidders should first complete Declaration D. After completing Declaration D, bidders should complete Declaration E and then consolidate the information on Declaration C. **Declaration C should be submitted with the bid documentation at the closing date and time of the bid in order to substantiate the declaration made in paragraph (c) below.** Declarations D and E should be kept by the bidders for verification purposes for a period of at least 5 years. The successful bidder is required to continuously update Declarations C, D and E with the actual values for the duration of the contract.

I, the undersigned, (full names),
do hereby declare, in my capacity as
of(name of bidder entity), the following:

- (a) The facts contained herein are within my own personal knowledge.
- (b) I have satisfied myself that:
- (i) the goods/services/works to be delivered in terms of the above-specified bid comply with the minimum local content requirements as specified in the bid, and as measured in terms of SATS 1286:2011; and
- (c) The local content percentage (%) indicated below has been calculated using the formula given in clause 3 of SATS 1286:2011, the rates of exchange indicated in paragraph 4.1 above and the information contained in Declaration D and E which has been consolidated in Declaration C:

Bid price, excluding VAT (y)	R
Imported content (x), as calculated in terms of SATS 1286:2011	R
Stipulated minimum threshold for local content (paragraph 3 above)	
Local content %, as calculated in terms of SATS 1286:2011	

If the bid is for more than one product, the local content percentages for each product contained in Declaration C shall be used instead of the table above.

The local content percentages for each product has been calculated using the formula given in clause 3 of SATS 1286:2011, the rates of exchange indicated in paragraph 4.1 above and the information contained in Declaration D and E.

- (d) I accept that the Procurement Authority / Institution has the right to request that the local content be verified in terms of the requirements of SATS 1286:2011.
- (e) I understand that the awarding of the bid is dependent on the accuracy of the information furnished in this application. I also understand that the submission of incorrect data, or data that are not verifiable as described in SATS 1286:2011, may result in the Procurement Authority / Institution imposing any or all of the remedies as provided for in Regulation 14 of the Preferential Procurement Regulations, 2017 promulgated under the Preferential Policy Framework Act (PPFA), 2000 (Act No. 5 of 2000).

SIGNATURE: _____

DATE: _____

WITNESS No. 1 _____

DATE: _____

WITNESS No. 2 _____

DATE: _____

ANNEXURE C

SATS 1286.2011

Local Content Declaration – Summary Schedule

(C1) Tender No.	RB 03/2022/23					
(C2) Tender Description	Supply and Delivery of Stormwater Culverts to Grabouw					
(C3) Designated product(s)						
(C4) Tender Authority	Theewaterskloof Municipality					
(C5) Name of Tendering Entity						
(C6) Tender Exchange Rate	Pula		EU		GBP	
(C7) Specified local content %	100	Cement and Cement Products				

NOTE: VAT to be excluded from all calculations

Calculation of local content								Tender summary			
Tender Item No's	List of Items	Tender Price – each	Exempted imported value	Tender value net of exempted imported content	Imported value	Local value	Local content % (per item)	Estimated Tender Quantity	Total tender value	Total exempted imported content	Total imported content
(C8)	(C9)	(C10)	(C11)	(C12)	(C13)	(C14)	(C15)	(C16)	(C17)	(C18)	(C19)
1	Precast concrete culvert										
2	Stormwater (Spigot and Socket Joint) 450mm										
								(C20) Total tender value			
								(C21) Total Exempt imported content			
								(C22) Total Tender value net of exempt imported content			
								(C23) Total Imported content			
								(C24) Total local content			
								(C25) Average local content % of tender			

SIGNATURE OF TENDERER AS PER LOCAL CONTENT DECLARATION

DATE

ANNEXURE D

SATS 1286.2011

Imported Content Declaration – Supporting Schedule to Annexure C

(D1)	Tender No.	RB 03/2022/23					NOTE: VAT to be excluded from all calculations
(D2)	Tender Description	Supply and Delivery of Stormwater Culverts to Grabouw					
(D3)	Designated product(s)						
(D4)	Tender Authority	Theewaterskloof Municipality					
(D5)	Tendering Entity's Name						
(D6)	Tender Exchange Rate	Pula		EU		GBP	

A. Exempted imported content				Calculation of imported content					
Tender item no's	Description of imported content	Local supplier	Overseas supplier	Foreign currency value as per Commercial Invoice	Tender Exchange Rate	Local value of imports	Freight costs to port of entry	All locally incurred landing costs & duties	Total landed cost
(D7)	(D8)	(D9)	(D10)	(D11)	(D12)	(D13)	(D14)	(D15)	(D16)

Summary	
Tender Quantity	Exempted imported value
(D17)	(D18)

(D19) Total exempt imported value

This total must correspond with Annex C – C21

B. Imported directly by the Tenderer				Calculation of imported content					
Tender item no's	Description of imported content	Unit of measure	Overseas supplier	Foreign currency value as per Commercial Invoice	Tender Exchange Rate	Local value of imports	Freight costs to port of entry	All locally incurred landing costs & duties	Total landed cost
(D20)	(D21)	(D22)	(D23)	(D24)	(D25)	(D26)	(D27)	(D28)	(D29)

Summary	
Tender Quantity	Total imported value
(D30)	(D31)

(D32) Total imported value by tenderer

Imported Content Declaration – Supporting Schedule to Annexure C

NOTE: VAT to be excluded from all calculations

C. Imported by a 3 rd party and supplied to the Tenderer				Calculation of imported content						Summary	
Description of imported content	Unit of measure	Local supplier	Overseas supplier	Foreign currency value as per Commercial Invoice	Tender Exchange Rate	Local value of imports	Freight costs to port of entry	All locally incurred landing costs & duties	Total landed cost	Quantity imported	Total imported value
(D33)	(D34)	(D35)	(D36)	(D37)	(D38)	(D39)	(D40)	(D41)	(D42)	(D43)	(D44)

(D45) Total imported value by 3rd party

D. Other foreign currency payments			Calculation of foreign currency payments		Summary of Payments	
Type of payment	Local supplier making the payment	Overseas beneficiary	Foreign currency value paid	Tender rate of exchange	Local value of payments	
(D46)	(D47)	(D48)	(D49)	(D50)	(D51)	

(D52) Total of foreign currency payments declared by tenderer and/or 3rd party

(D53) Total of imported content and foreign currency payments – (D32), (D45) and (D52) above

SIGNATURE OF TENDERER AS PER LOCAL CONTENT DECLARATION

This total must correspond with Annex C – (C23)

DATE

Local content Declaration – Summary Schedule to Annexure C

(E1) Tender No.	RB 03/2022/23	NOTE: VAT to be excluded from all calculations
(E2) Tender Description	Supply and Delivery of Stormwater Culverts to Grabouw	
(E3) Designated product(s)		
(E4) Tender Authority	Theewaterskloof Municipality	
(E5) Tendering Entity's Name		

LOCAL PRODUCTS (Goods, Services and Works)

Description of items purchased (E6)	Local suppliers (E7)	Value (E8)
(E9) Total local products (Goods, service and works)		

(E10) Manpower costs (Tenderer's own manpower cost)

(E11) Factory overheads (Rental, depreciation & amortization, utility costs, consumables, etc.)

(E12) Administration overheads and mark-up (Marketing, insurance, financing interest, etc.)

(E13) Total local content

This total must correspond with Annex C – C24

SIGNATURE OF TENDERER AS PER LOCAL CONTENT
DECLARATION

DATE

PART A INVITATION TO BID

YOU ARE HEREBY INVITED TO BID FOR REQUIREMENTS OF THE THEEWATERSKLOOF MUNICIPALITY					
Bid Number:	RB 03/2022/23	Closing Date:	04 November 2022	Closing Time:	12:00
Description:	SUPPLY AND DELIVERY OF STORMWATER CULVERTS TO GRABOUW				
THE SUCCESSFUL BIDDER WILL BE REQUIRED TO FILL IN AND SIGN A WRITTEN CONTRACT FORM (CONTRACT FOR THE RENDERING OF SERVICES)					
Bid Response Documents may be Deposited in the Bid Box NO. 2 situated at:					
MUNICIPAL HEAD OFFICE					
06 PLEIN STREET					
CALEDON					
7230					
SUPPLIER INFORMATION					
NAME OF BIDDER					
CONTACT PERSON					
POSTAL ADDRESS					
STREET ADDRESS					
TELEPHONE NUMBER	CODE		NUMBER		
CELLPHONE NUMBER					
FACSIMILE NUMBER	CODE		NUMBER		
E-MAIL ADDRESS					
VAT REGISTRATION NUMBER					
TAX COMPLIANCE STATUS	TCS PIN:		OR	CSD No:	
B-BBEE STATUS LEVEL VERIFICATION CERTIFICATE [TICK APPLICABLE BOX]	<input type="checkbox"/> Yes <input type="checkbox"/> No	B-BBEE STATUS LEVEL SWORN AFFIDAVIT		<input type="checkbox"/> Yes <input type="checkbox"/> No	
[A B-BBEE STATUS LEVEL VERIFICATION CERTIFICATE/ SWORN AFFIDAVIT (FOR EMES & QSEs) MUST BE SUBMITTED IN ORDER TO QUALIFY FOR PREFERENCE POINTS FOR B-BBEE]					
1. ARE YOU THE ACCREDITED REPRESENTATIVE IN SOUTH AFRICA FOR THE GOODS /SERVICES /WORKS OFFERED?	<input type="checkbox"/> Yes <input type="checkbox"/> No [IF YES ENCLOSE PROOF]		2. ARE YOU A FOREIGN BASED SUPPLIER FOR THE GOODS /SERVICES /WORKS OFFERED?	<input type="checkbox"/> Yes <input type="checkbox"/> No [IF YES, ANSWER PART B:3]	
3. TOTAL NUMBER OF ITEMS OFFERED			4. TOTAL BID PRICE	R	
5. SIGNATURE OF BIDDER		6. DATE		
7. CAPACITY UNDER WHICH THIS BID IS SIGNED					
BIDDING PROCEDURE ENQUIRIES MAY BE DIRECTED TO:			TECHNICAL INFORMATION MAY BE DIRECTED TO:		
DEPARTMENT	SCM		CONTACT PERSON	Rodwin Biggs	
CONTACT PERSON	Ruhan Andries		TELEPHONE NUMBER	028 214 3300	
TELEPHONE NUMBER	028 214 3395		FACSIMILE NUMBER	N/A	
FACSIMILE NUMBER	N/A		E-MAIL ADDRESS	RodwinBi@twk.org.za	
E-MAIL ADDRESS	ruhanan@twk.org.za				

PART B

TERMS AND CONDITIONS FOR BIDDING

1. BID SUBMISSION:
<p>1.1. BIDS MUST BE DELIVERED BY THE STIPULATED TIME TO THE CORRECT ADDRESS. LATE BIDS WILL NOT BE ACCEPTED FOR CONSIDERATION.</p> <p>1.2. ALL BIDS MUST BE SUBMITTED ON THE OFFICIAL FORMS PROVIDED–(NOT TO BE RE-TYPED) OR ONLINE</p> <p>1.3. THIS BID IS SUBJECT TO THE PREFERENTIAL PROCUREMENT POLICY FRAMEWORK ACT AND THE PREFERENTIAL PROCUREMENT REGULATIONS, 2017, THE GENERAL CONDITIONS OF CONTRACT (GCC) AND, IF APPLICABLE, ANY OTHER SPECIAL CONDITIONS OF CONTRACT.</p>
2. TAX COMPLIANCE REQUIREMENTS
<p>2.1 Bidders must ensure compliance with their tax obligations.</p> <p>2.2 Bidders are required to submit their unique personal identification number (pin) issued by sars to enable the organ of state to view the taxpayer's profile and tax status.</p> <p>2.3 Application for the tax compliance status (tcs) certificate or pin may also be made via e-filing. In order to use this provision, taxpayers will need to register with sars as e-filers through the website www.sars.gov.za.</p> <p>2.4 Foreign suppliers must complete the pre-award questionnaire in part b:3.</p> <p>2.5 Bidders may also submit a printed tcs certificate together with the bid.</p> <p>2.6 In bids where consortia / joint ventures / sub-contractors are involved, each party must submit a separate tcs certificate / pin / csd number.</p> <p>2.7 Where no tcs is available but the bidder is registered on the central supplier database (csd), a csd number must be provided.</p>
3. QUESTIONNAIRE TO BIDDING FOREIGN SUPPLIERS
<p>3.1. IS THE ENTITY A RESIDENT OF THE REPUBLIC OF SOUTH AFRICA (RSA)? <input type="checkbox"/> YES <input type="checkbox"/> NO</p> <p>3.2. DOES THE ENTITY HAVE A BRANCH IN THE RSA? <input type="checkbox"/> YES <input type="checkbox"/> NO</p> <p>3.3. DOES THE ENTITY HAVE A PERMANENT ESTABLISHMENT IN THE RSA? <input type="checkbox"/> YES <input type="checkbox"/> NO</p> <p>3.4. DOES THE ENTITY HAVE ANY SOURCE OF INCOME IN THE RSA? <input type="checkbox"/> YES <input type="checkbox"/> NO</p> <p>3.5. IS THE ENTITY LIABLE IN THE RSA FOR ANY FORM OF TAXATION? <input type="checkbox"/> YES <input type="checkbox"/> NO</p> <p>IF THE ANSWER IS "NO" TO ALL OF THE ABOVE, THEN IT IS NOT A REQUIREMENT TO REGISTER FOR A TAX COMPLIANCE STATUS SYSTEM PIN CODE FROM THE SOUTH AFRICAN REVENUE SERVICE (SARS) AND IF NOT REGISTER AS PER 2.3 ABOVE.</p>

**NB: FAILURE TO PROVIDE ANY OF THE ABOVE PARTICULARS MAY RENDER THE BID INVALID.
NO BIDS WILL BE CONSIDERED FROM PERSONS IN THE SERVICE OF THE STATE.**

SIGNATURE OF BIDDER:

CAPACITY UNDER WHICH THIS BID IS SIGNED:.....